

# GRINDMASTER

## Coffee System Coffee Grinder with Hopper, 0,7 kg, black

ITEM # \_\_\_\_\_

MODEL # \_\_\_\_\_

NAME # \_\_\_\_\_

SIS # \_\_\_\_\_

AIA # \_\_\_\_\_



600602 (835BCE)

Single portion grinder with one 0.7 kg hopper (grind types: Turkish, Espresso, Fine, Auto Drip, Drip, Percolator, Coarse) - black

### Short Form Specification

Item No. \_\_\_\_\_

Coffee grinder with hopper, black color. Fast grind time, suitable for various types of coffee. Compact dimensions for table top configuration. Powerful motor with circuit breaker and manual on/off switch.

### Main Features

- Easy-to-Follow instructions.
- Fast grind time.
- Steep slope hopper promotes a bean flow without blocking.
- Ideal for all self-service applications, including grocery stores and specialty shops.
- How to Operate:
  - 1. Turn the selector knob to the desired grind setting.
  - 2. Fill the hopper with the desired type and amount of whole bean coffee. Close the lid.
  - 3. Place the bag underneath the spout.
  - 4. Press the start button.
  - 5. Press the stop button after the grinder has completed grinding.
  - 6. Remove bag from coffee spout once coffee is ground.

### Construction

- Powerful motor with circuit breaker.
- Separate start/stop push buttons.
- Precision burrs.
- Stainless steel tidy tray with pull out drawer.
- Stainless steel front panel.

APPROVAL: \_\_\_\_\_

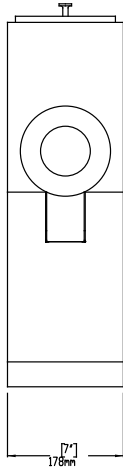
GRINDMASTER

Coffee System  
Coffee Grinder with Hopper, 0,7 kg, black

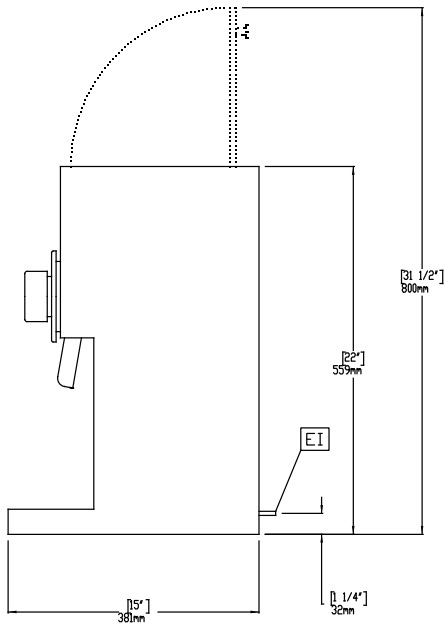
# GRINDMASTER

## Coffee System Coffee Grinder with Hopper, 0,7 kg, black

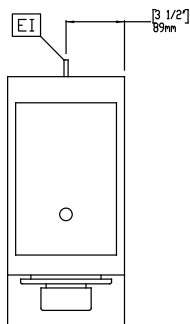
Front



Side



Top



### Electric

Supply voltage:

600602 (835BCE)

230 V/1 ph/50 Hz

Electrical power max.:

0.8 kW

### Key Information:

External dimensions, Width: 178 mm

External dimensions, Depth: 381 mm

External dimensions, Height: 559 mm

Net weight: 18 kg

Shipping weight: 20 kg

Shipping height: 699 mm

Shipping width: 318 mm

Shipping depth: 470 mm

Shipping volume: 0.1 m<sup>3</sup>